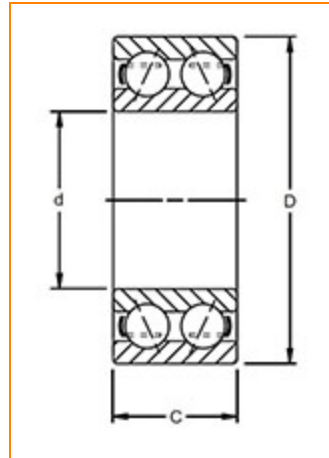


TIMKEN

The Timken Company
4500 Mt Pleasant St. NW
N. Canton, OH 44720
Phone: (234) 262-3000

E-Mail: CustomerCAD@timken.com • Web site: www.timken.com

Part Number 3202 ATN1/ZZ, Timken® Double Row Angular Contact Ball Bearings (3200, 3300)



[Dimensions](#) | [Specifications](#) | [Basic Load Ratings](#) | [Abutment and Fillet Dimensions](#)

Dimensions

d - Bore	15.00 mm 0.5906 in
D - Outer Diameter	35.00 mm 1.3780 in
C - Ring Width	15.9 mm 0.6260 in
Contact Angle	30 °

Specifications

Features	Shields
Ball Type	STEEL



Cage Type	Molded
Cage Material	Nylon
Bearing Weight	0.06 Kg 0.137 lb
Design Units	METRIC

Basic Load Ratings

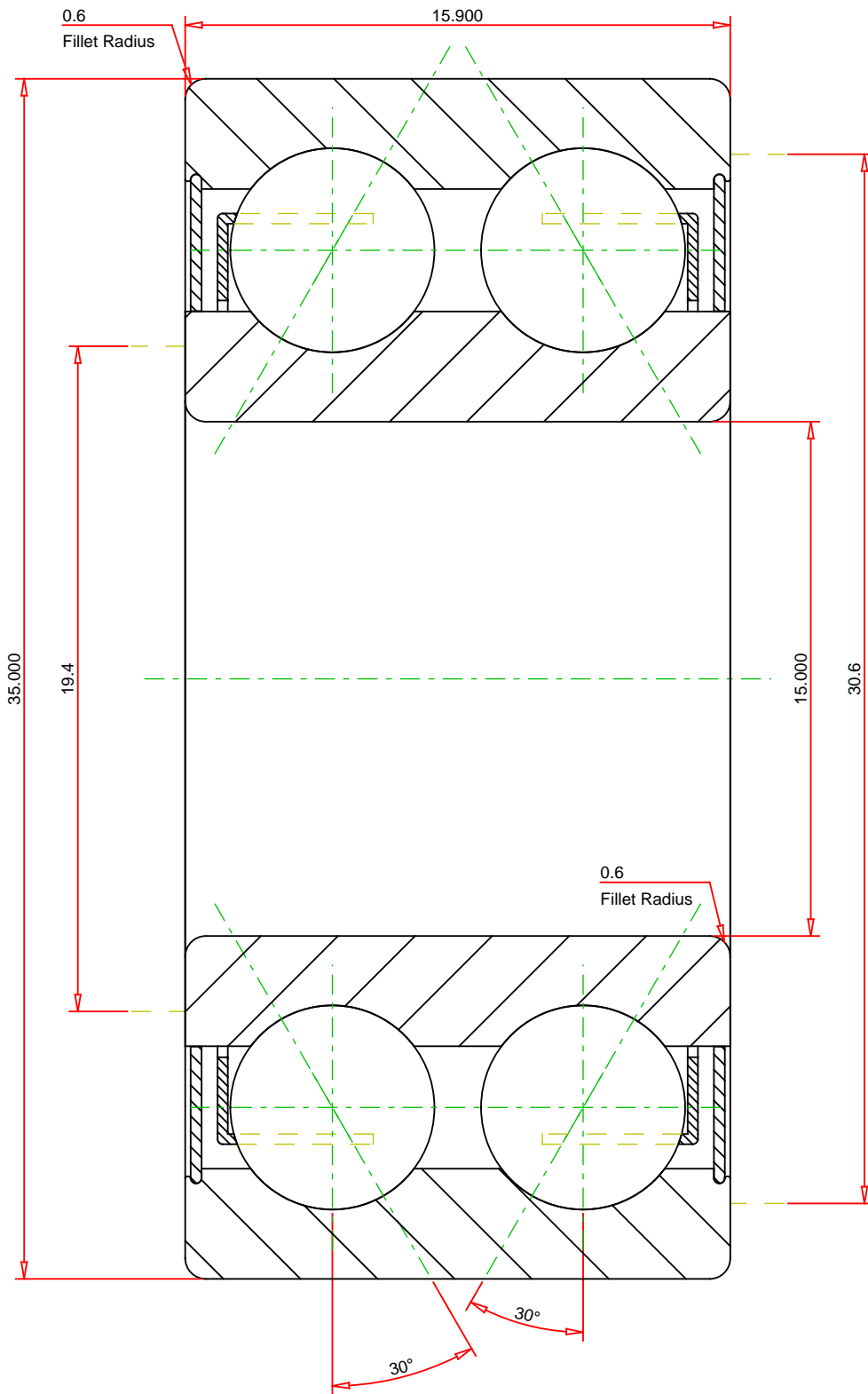
C0 - Static Radial Rating	6870 N 1544 lbf
C1 ISO - Dynamic Radial Rating	11350 N 2551 lbf

Abutment and Fillet Dimensions

R - Inner Ring "To Clear" Radius ¹	0.60 mm 0.024 in
r - Outer Ring "To Clear" Radius ²	0.60 mm 0.024 in
da - Inner Ring Backing Diameter	19.4 mm 0.764 in
Da - Outer Ring Backing Diameter	30.6 mm 1.205 in

¹ Maximum housing fillet radius that bearing corners will clear.

² Maximum shaft fillet radius that bearing corners will clear.



METRIC UNITS

Number of Balls Per Row	8
Bearing Weight	0.060 kg

TIMKEN [®]

THE TIMKEN COMPANY
NORTH CANTON, OHIO USA

3202 ATN1/ZZ	
Timken® Double Row Angular Contact Ball Bearings (3200, 3300)	
Dynamic Load Rating	11350 N
Static Load Rating	6870 N

Every reasonable effort has been made to ensure the accuracy of the information contained in this writing, but no liability is accepted for errors, omissions or for any other reason.

FOR DISCUSSION ONLY